

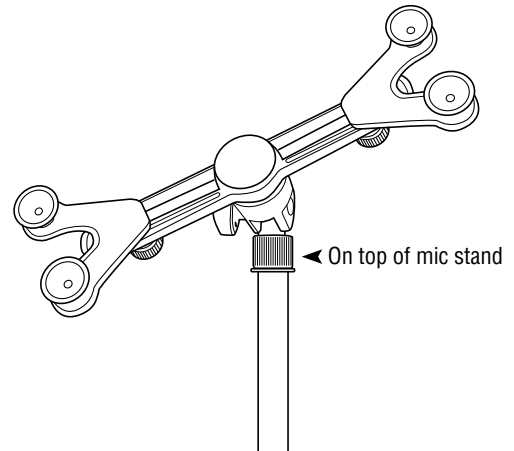
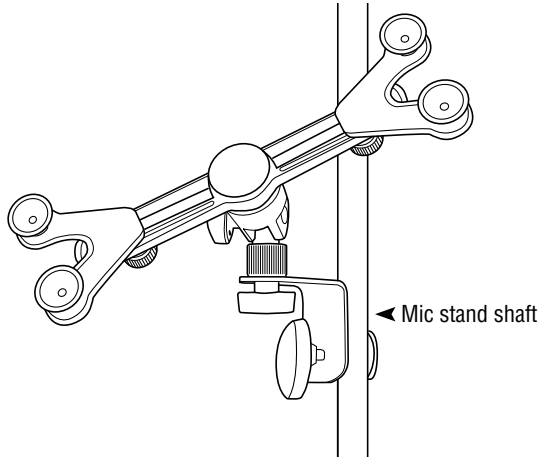
**PROLINE®**

# Universal Tablet Mount

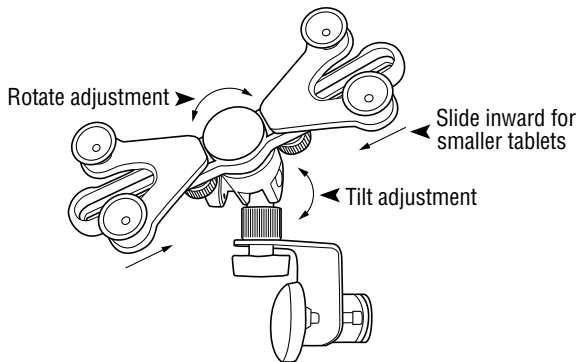
**PLUTM**

Congratulations on your purchase of a new Proline Universal Tablet Mount. Please read these instructions carefully to correctly attach and adjust your new tablet mount for years of use.

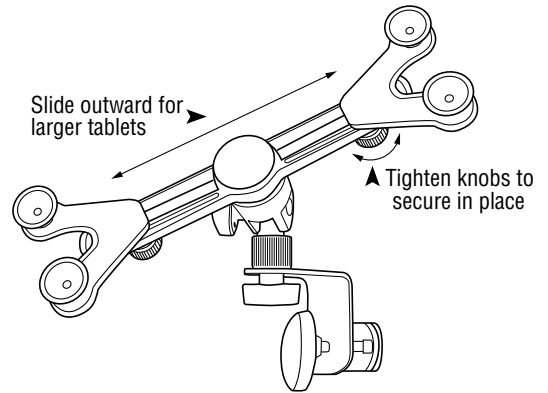
**1. Mount the Proline PLUTM in one of two ways:**



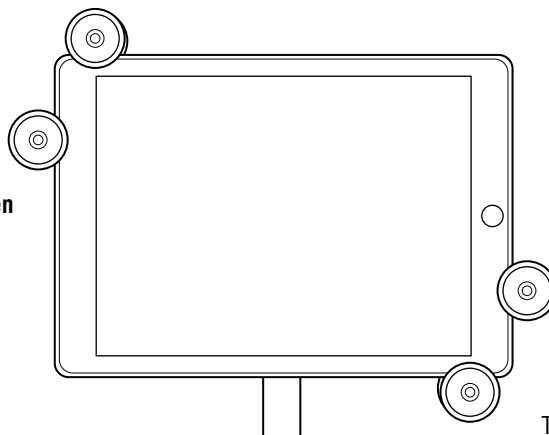
**2. Make adjustments for the size of the tablet and your viewing angle.**



**3. Place any of the tablet's two opposing corners into each pair of the PLUTM's corner holders.**



**NOTE: Make sure to tighten all adjustment knobs.**



Tablet and mic stand not included.